



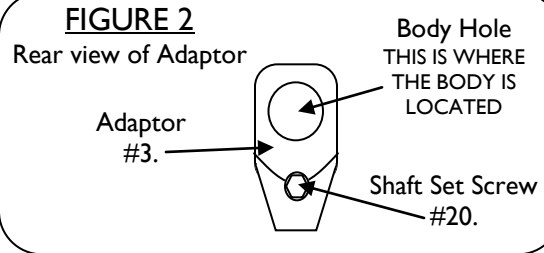
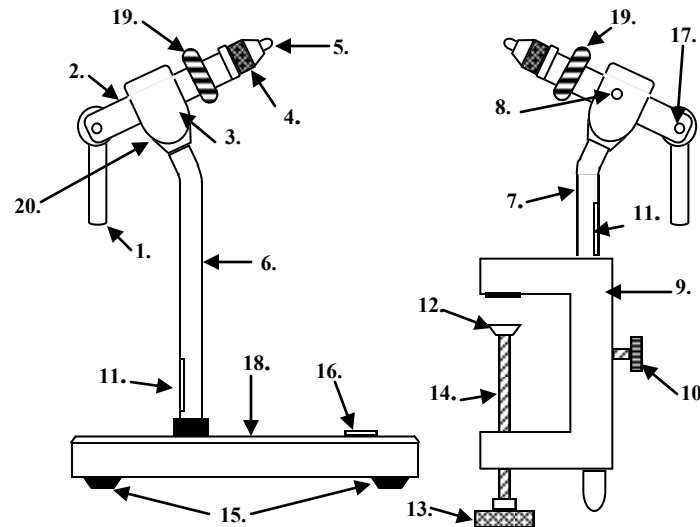
DYNA-KING, INC.®
World's finest handcrafted flytying vises

the KINGFISHER



This introductory level vise offers the same high quality you have come to expect from the Dyna-King line. This small, yet durable, vise is machined from stainless steel & aluminum. Featuring our famous hook holding capability, notch lock cam and 360° rotation. Also comes with a material clip.

DYNA-KING®
597 SANTANA DRIVE, UNIT A
CLOVERDALE, CA 95425, USA
Toll Free (800) 396-2546 • Ph (707) 894-5566
Fax (707) 894-5990
www.dyna-king.com • info@dyna-king.com



PARTS LIST

- | | |
|--|---------------------------|
| 1. Cam Handle | 10. Base Lock Screw |
| 2. Vise Body | 11. Serial Number Label * |
| 3. Adaptor | (Do Not Remove) |
| 4. Forcing Cone | 12. Clamp Shoe |
| 5. Jaws | 13. Clamp Handle Knob |
| 6. Threaded Bent Pedestal Shaft | 14. Clamp Screw |
| 7. Bent Clamp Shaft | 15. Base Feet |
| 8. * Retaining Screw (Do Not Adjust or Remove) | 16. Name Plate |
| 9. Small Clamp Base | 17. Cam Pin |
| | 18. Small Pedestal base |
| | 19. Material Clip |
| | 20. Shaft set screw |

*PLEASE RECORD YOUR SERIAL IF YOU REMOVE IT. YOU MUST HAVE THE NUMBER FOR WARRANTY PURPOSES

*** The Retaining Screw (#8) is NOT to be used for tension. Tightening the screw may cause it to strip the vise threads & damage the body.**

INFORMATION

Please take note of the two grooves in the vise **JAWS #5**. These will accommodate hook sizes 24-8/0. **Midge Jaws**, available for purchase, will hold hooks down to a size 32. Large hooks should be held in the rear groove, medium hooks are best held in the groove closest to the **Jaw** tips. Smaller hooks should be held in the **Jaw** tips.

Tension on the hook can be achieved by adjusting the **Forcing Cone #4**. To tighten, or loosen, the grip of the **Jaws** on the hook, the **Cam Handle #1** must first be raised, so that the **Jaws** will be in the open position. Adjust the **Forcing Cone** only enough so as that the **Jaws** will hold the hook securely. **Over tightening the Forcing Cone, or adjusting the cone while the cam is in the down position, may cause the jaws to lock, and possibly remain, closed.**

To **Clean & Maintain** your vise use a soft cloth with a lubricant spray to wipe your vise periodically. To keep your **Forcing Cone** and out your **Jaws**. A light coating of marine boat grease, available at your local auto parts store, may be applied to the **inside of the forcing cone & the outside shank of the Jaws**.

Thank you for Choosing
Dyna-King, Inc. We hope that your new **KINGFISHER** vise will bring you many years of fly-tying enjoyment!