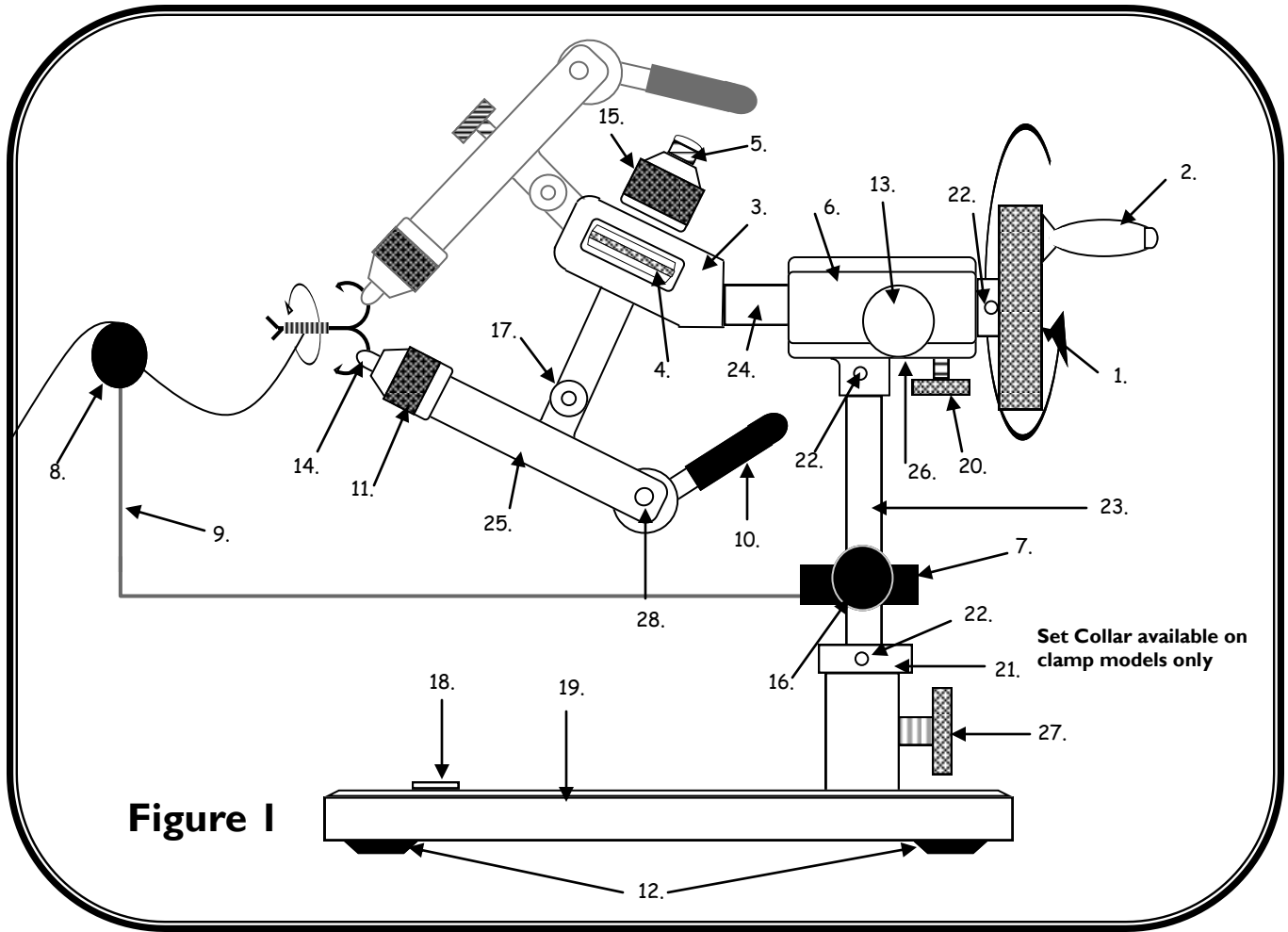


# SIDE-WINDER

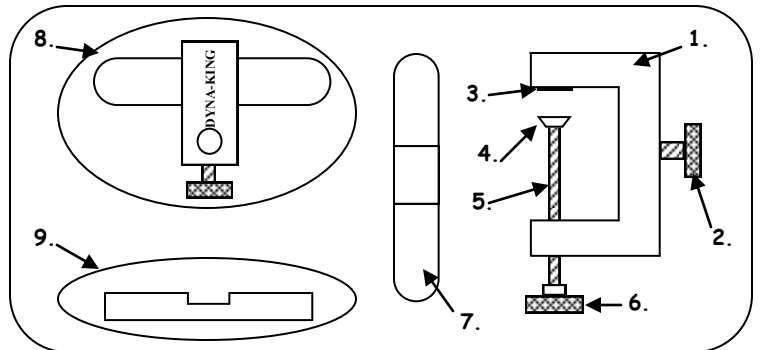


**Figure 1**

**Figure 2**

## Side-Winder Parts List

- |                    |   |
|--------------------|---|
| 1. Actuator        | 16. Bobbin Hanger Screw                         |
| 2. Actuator Handle | 17. Material Clip                               |
| 3. Adjustor Body   | 18. Name Plate                                  |
| 4. Adjustor Nut    | 19. Extra Large Pedestal Base                   |
| 5. Adjustor Screw  | 20. Rotary Lock Screw                           |
| 6. Bearing Housing | 21. Set Collar (available on clamp models only) |
| 7. Bobbin Mount    | 22. Set Screw (3)                               |
| 8. Bobbin Rest     | 23. Shaft                                       |
| 9. Bobbin Wire     | 24. Spindle                                     |
| 10. Cam Handle     | 25. Vise Body                                   |
| 11. Forcing cone   | 26. Serial Number                               |
| 12. Base Feet      | 27. Base Lock Screw                             |
| 13. Friction Screw | 28. Cam Pin                                     |
| 14. Jaws           |   |
| 15. Lock Nut       |   |



## Parts List

- |                     |                                   |
|---------------------|-----------------------------------|
| 1. Large Clamp Base | 7. Outrigger                      |
| 2. Clamp Lock Screw | 8. Top view of clamp w/ outrigger |
| 3. Felt Pad         | 9. Side view of Outrigger         |
| 4. Clamp Shoe       |                                   |
| 5. Clamp Screw      |                                   |
| 6. Clamp Handle     |                                   |

Clamp Vises come with a 9" shaft. Pedestals come with a 7" shaft.