



By Ron Abby

RON ABBY SIGNATURE

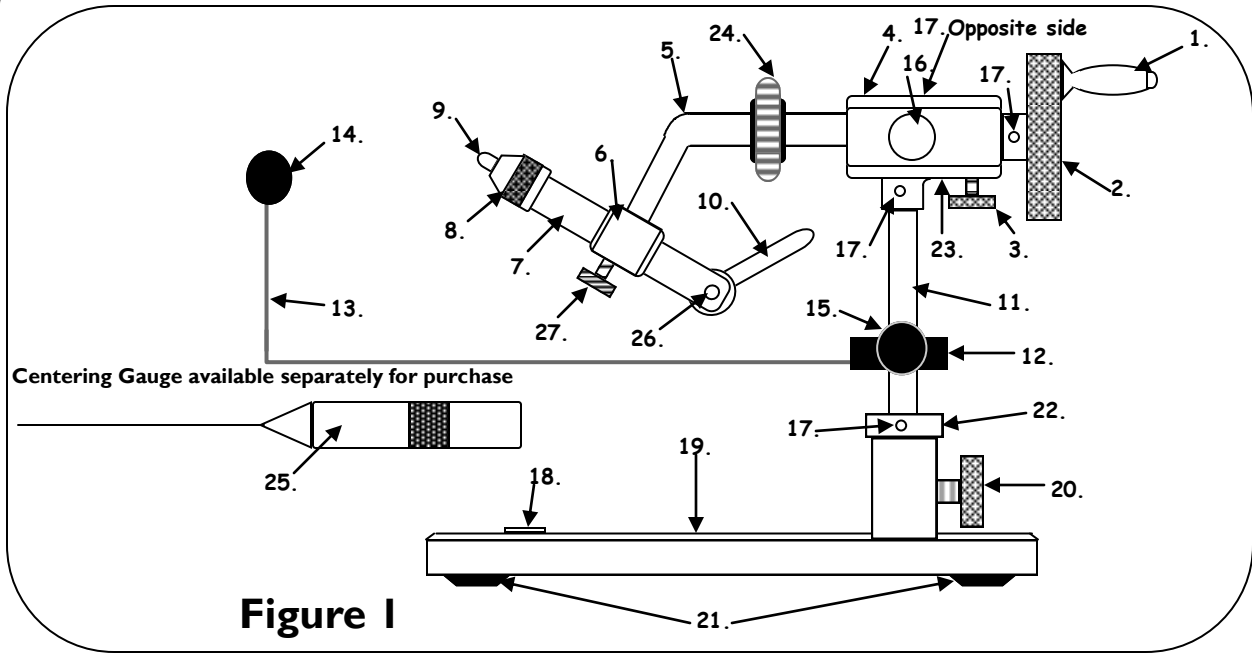


Figure 1

Figure 2

Figure 3

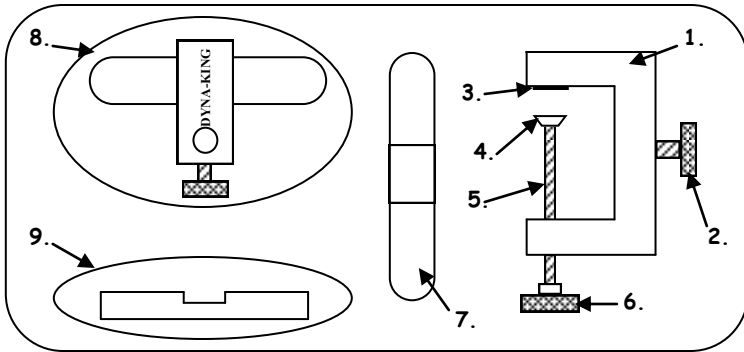


FIGURE - 1 PARTS LIST

- | | |
|------------------------|---------------------------------------|
| 1. Rotator Handle | 15. Bobbin Hanger Screw |
| 2. Rotator | 16. Tension Screw |
| 3. Rotary Lock Screw | 17. Set Screw (4) |
| 4. Bearing Housing | 18. Name Plate |
| 5. Spindle | 19. Extra Large Base |
| 6. Body Sleeve | 20. Base Lock Screw |
| 7. Vise Body | 21. Base Feet |
| 8. Forcing Cone | 22. Set Collar (on clamp models only) |
| 9. Jaws | 23. Serial Number |
| 10. Cam Handle | 24. Material Clip |
| 11. Shaft | 25. Centering Gauge |
| 12. Bobbin Mount | 26. Cam Pin |
| 13. Bobbin Hanger Wire | 27. Slide Lock Screw |
| 14. Bobbin Rest | |

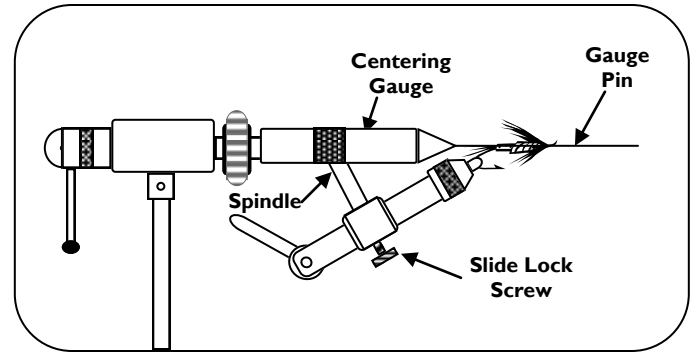


FIGURE - 2 PARTS LIST

- | |
|---|
| 1. Large Clamp |
| 2. Clamp Lock Screw |
| 3. Felt Pad |
| 4. Clamp Shoe |
| 5. Clamp Screw |
| 6. Clamp Handle |
| 7. Outrigger |
| 8. Top view of Clamp with Outrigger Installed |
| 9. Outrigger Side view |

Clamp Vises come with a 9" shaft. Pedestals come with a 7" shaft.

All shaft's have a 3/8" diameter.

Centering Gauge (#25) Snaps onto the Spindle of the Vise. See Figure-3