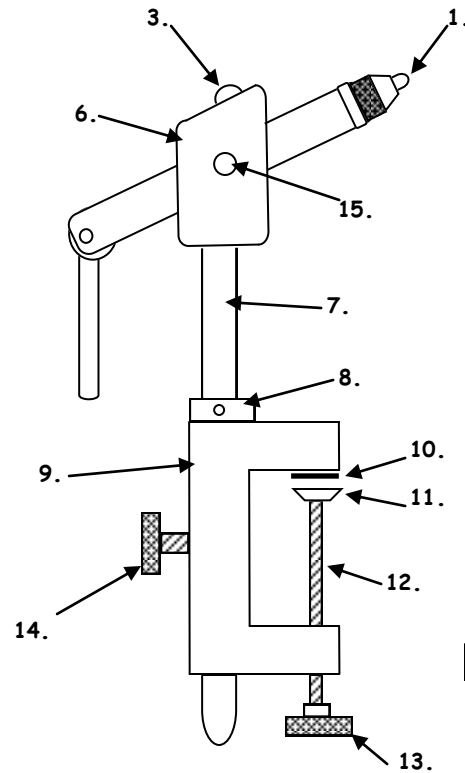
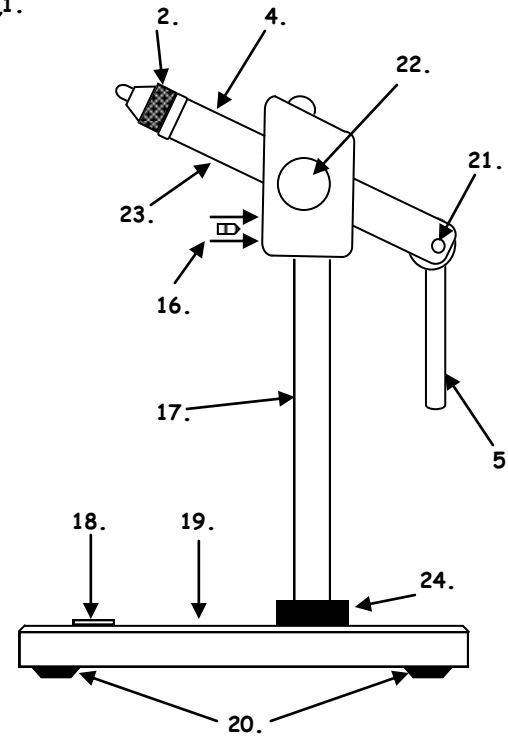


SQUIRE CLAMP



SQUIRE PEDESTAL



SQUIRE PARTS LIST

- | | |
|------------------|-----------------------------|
| 1. Jaws | Screw |
| 2. Forcing Cone | 15. Set Screw |
| 3. Material Clip | 16. Set Screw |
| 4. Vise Body | 17. Threaded Pedestal Shaft |
| 5. Cam Handle | 18. Name Plate |
| 6. Adaptor | 19. Small Pedestal Base |
| 7. Clamp Shaft | 20. Base Feet |
| 8. Set Collar | 21. Cam Pin |
| 9. Small Clamp | 22. Tension Screw |
| 10. Felt Pad | 23. Serial Number |
| 11. Clamp Shoe | 24. Shaft Washer |
| 12. Clamp Screw | |
| 13. Clamp Handle | |
| 14. Clamp Lock | |

NEVER OVER-TIGHTEN OR ADJUST THE FORCING CONE! OVERTIGHTENING THE FORCING CONE OR ADJUSTING THE CONE WHILE THE CAM IS IN THE DOWN POSITION & THE JAWS ARE CLOSED MAY CAUSE THE JAWS & CONE TO LOCK & POSSIBLY REMAIN CLOSED