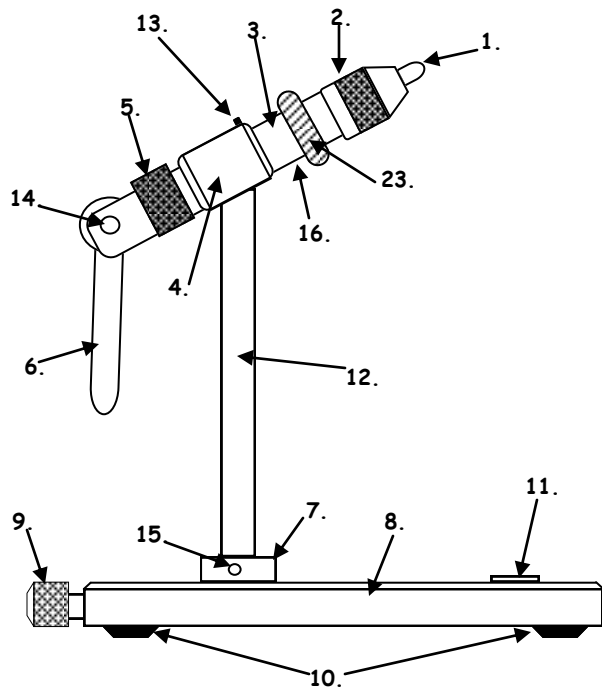


# DYNA-KING, INC. VOYAGER

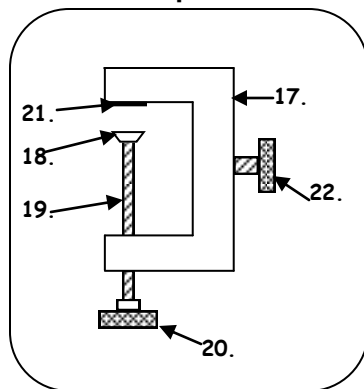
# VOYAGER PARTS LIST

# VOYAGER INFORMATION



Set Collar available on clamps only

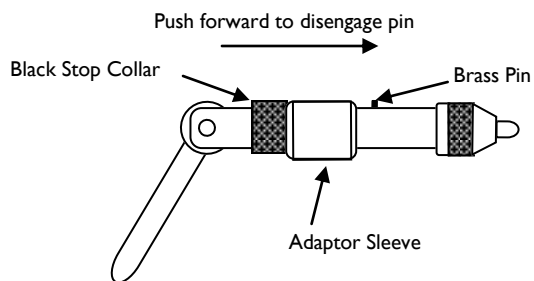
## Clamp Base



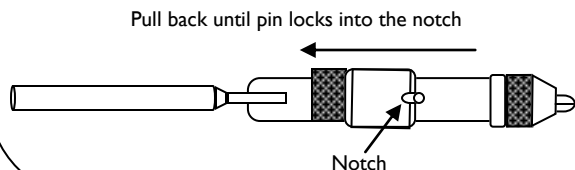
- |                             |                          |
|-----------------------------|--------------------------|
| 1. Jaws                     | 13. Brass Pin            |
| 2. Forcing Cone             | 14. Cam Pin              |
| 3. Vise Body                | 15. Set Screw            |
| 4. Adaptor Sleeve           | 16. Serial Number        |
| 5. Stop Collar              | 17. Small clamp          |
| 6. Cam Handle               | 18. Clamp Shoe           |
| 7. Set Collar               | 19. Clamp Screw          |
| 8. Light Weight Delrin Base | 20. Clamp Handle         |
| 9. Base Screw               | 21. Felt Pad             |
| 10. Base Feet               | 22. Clamp Lock Screw     |
| 11. Name Plate              | 23. Material Clip Spring |
| 12. Shaft                   |                          |

Figure - 2

## SIDE VIEW OF VISE



## TOP VIEW OF VISE



Pedestal vises come with an approximate 6" shaft. Clamp vises come with an approximate 8" shaft. The SHAFTS are NON-REMOVABLE they are welded to the ADAPTOR SLEEVE.

To adjust the jaw to the size hook being tied, first open the vise jaw by raising the cam handle. Next, unscrew and adjust the forcing cone until the cam can be brought to the closed position, which is straight down, leaving enough space between the jaw for the desired hook size. It is important to not over tighten the forcing cone.

To rotate the vise 360°, grasp the black Stop collar, located at the rear of the vise body and push toward the JAWS, disengaging the brass lock pin from the notch in the adaptor. **See figure - 2.**

To clean and maintain the vise it may be wiped down with a soft cloth with light machine oil, or a lubricant spray. It is important to periodically grease the inside of the forcing cone and the outside of the jaws with a marine boat grease, taking care not to get grease between the jaws.

**NEVER OVERTIGHTEN OR ADJUST THE FORCING CONE! OVERTIGHTENING THE FORCING CONE OR ADJUSTING THE CONE WHILE THE CAM IS IN THE DOWN POSITION & THE JAWS ARE CLOSED MAY CAUSE THE JAWS & CONE TO LOCK & POSSIBLY REMAIN CLOSED**

DYNA-KING, INC.  
597 SANTANA DRIVE, UNIT A  
CLOVERDALE, CA 95425, USA  
Toll Free (800) 396-2546 • Ph(707) 894-5566  
Fax (707) 894-5566 • www.dyna-king.com  
Email: info@dyna-king.com